

2.4GHz DIPOLE ANTENNA 2dBi+with 150mm 1.13 cable IPEX DA-2450-02IPEX-150-01

APPLICATIONS AND FEATURES

Applications:

- 2.4GHz-2.5GHz ISM Band
- IEEE 802.11b/g/n Wireless LAN
- Public Wireless Hotspot
- Bluetooth 、 Wi-Fi 、 RFID
- Wireless Video Systems
- Directional and multipoint application

Features :

- Superior Performance
- Made with weatherproof and corrosion resistant
- Good appearance design
- Installed for vertical or horizontal polarization
- Outdoor antenna for public Hot spots
- Heavy Duty mounting
- RoHS Compliant



SPECIFICATIONS:

Electrical Specifications

Frequency Range	2400~2500 MHz
V.S.W.R	$\leq 2.0:1$
Antenna Type	Dipole Sleeve
Gain	$\geq 2.0 + 0.5\text{dBi}$
Polarization	Linear
Horizontal Beam-with	360°
Impedance	50Ω
Connector	IPEX
Coaxial Cable	150mm 1.13 cable

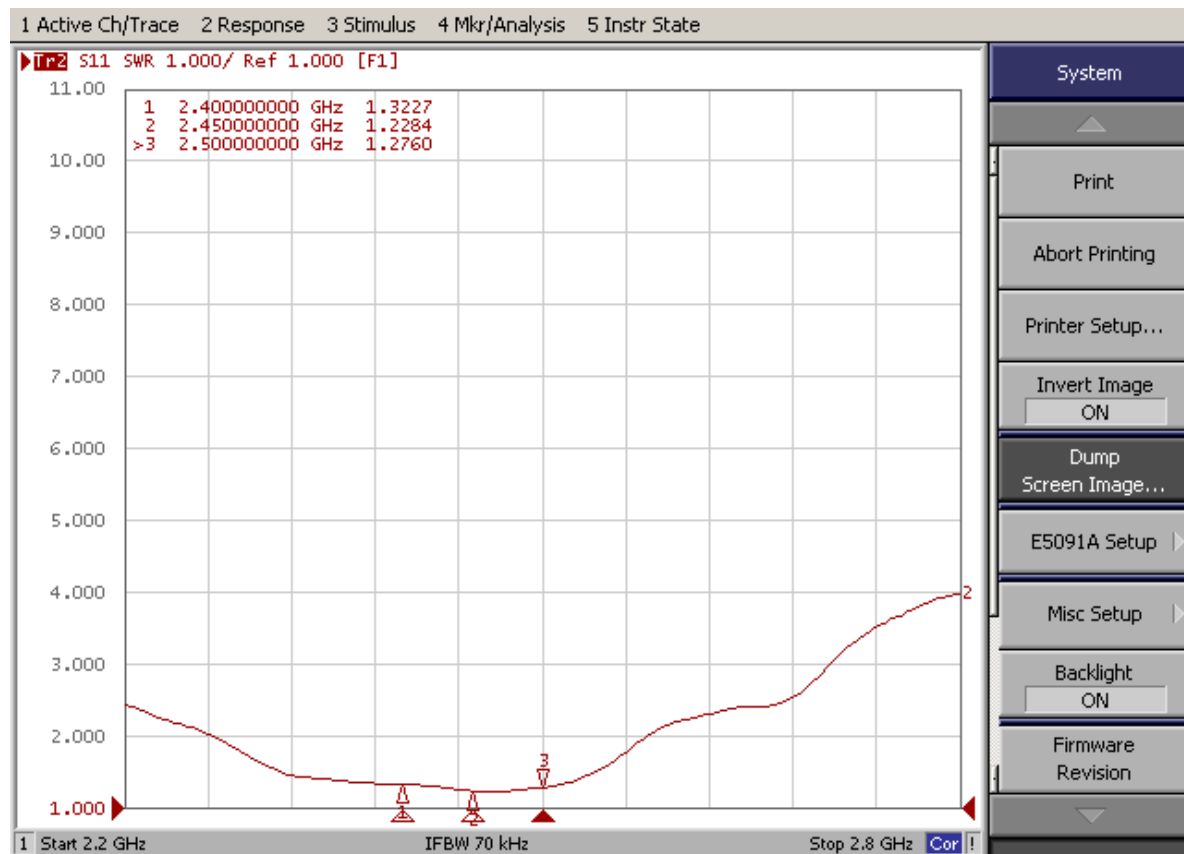
Mechanical Specifications

Dimension	106mm
Weight	4.5g
Housing	ABS
Hinge	PC+PBT
Color	Black
Operating Temperature	-20°C to +70 °C
Storage Temperature	-20°C to +70 °C

Test Item	Procedure	Requirement
Visual inspection and Dimension Check	Applicable methods using x5 magnification	follow specification
Rapid Changing of Temperature	-40°C (30minutes) to 90°C (30minutes); 24 cycles	After 2 hours recovery: 1. no visible damage 2. Freq. Tol.: < ±5%
Damp Heat	24 hours at 60°C; 90 ~ 95% RH	After 2 hours recovery: 1.no visible damage 2. Freq. Tol. : < ±5%
Endurance	24 hours at 90°C	After 2 hours recovery: 1. no visible damage 2. Freq Tol.: < ±5%

TESTING REPORT

VSWR



Hwayaotek

No.3, Aly. 2, Ln. 279, Zhongzheng Rd.,
Yongkang Dist., Tainan City 710, Taiwan
(R.O.C.)

TEL: 886-6-2020002
FAX: +886-6-2013882
<http://www.hwayaotek.com.tw>
Email: sales@hwayaotek.com.tw

All creative content and details belonging to HYT's confidential, and the owner, without consent, Do not posted, theft, copied and sent to a third party.

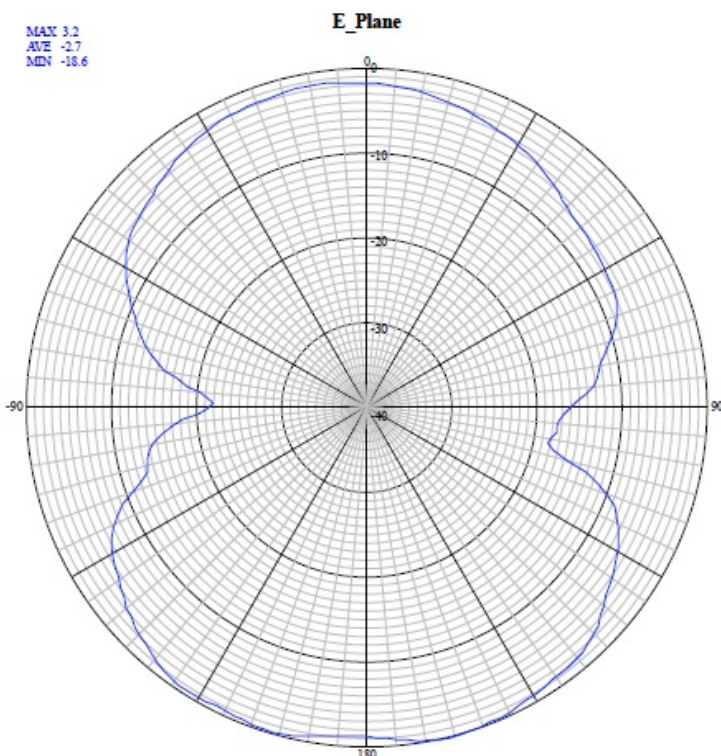
Antenna Gain

頻率	Gain H-Plane	Gain E-Plane
2.4 GHz	3.5 dBi	3.1 dBi
2.45 GHz	3.8 dBi	3.2 dBi
2.5 GHz	3.6 dBi	2.9 dBi

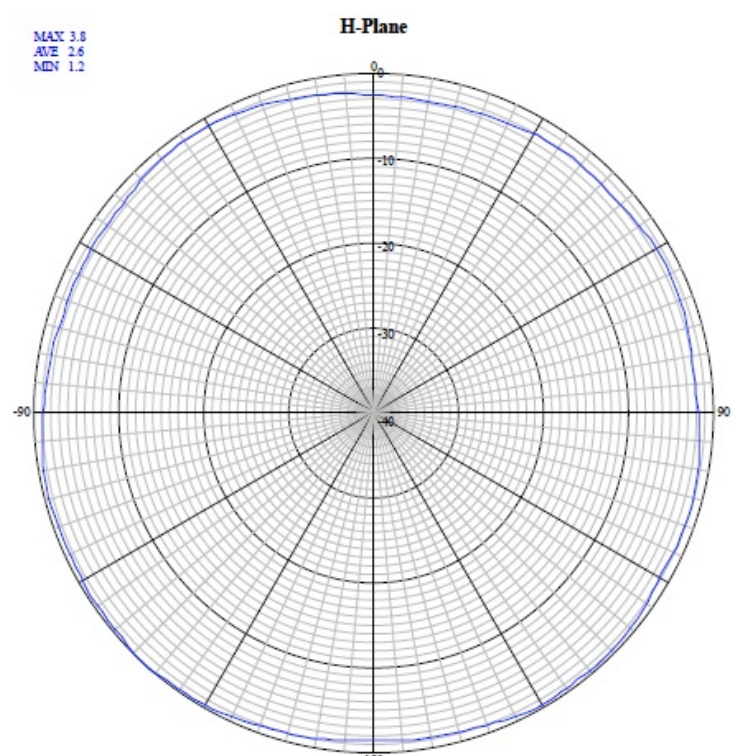
頻率	HPBW H-Plane	HPBW E-Plane
2.4 GHz	360.0 deg	100.8 deg
2.45 GHz	360.0 deg	99.0 deg
2.5 GHz	360.0 deg	95.4 deg

Antenna Vertical & Horizontal Pattern

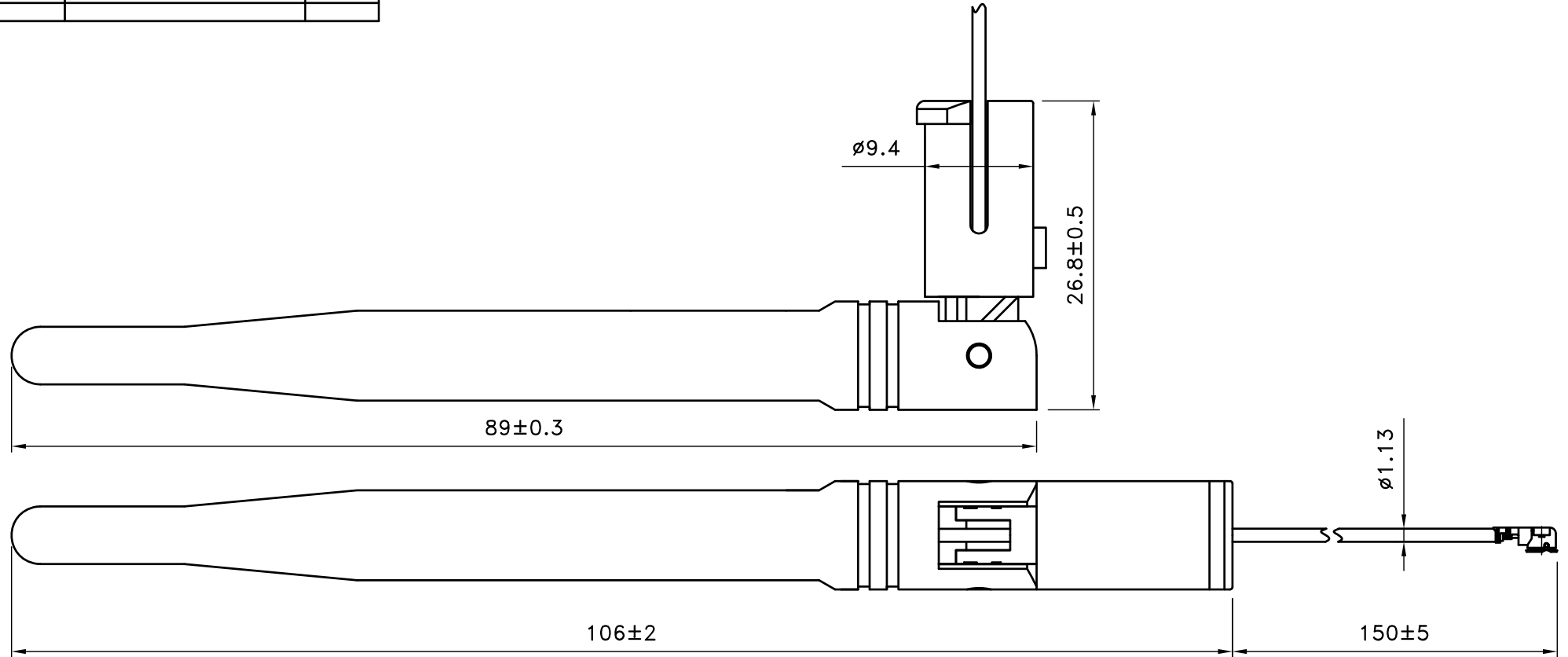
Vertical



Horizontal



REV	DATE	DESCRIPTION	DRAWN
△			



Prohibit re-circulating



華耀科技有限公司
Hwa Yao Technologies co.,Ltd

TITLE
2.4GHz Dipole Antenna 2dBi

DRAWING NO.
DA-2450-02IPEX-150-01

APPROVED
DRAWN DATE
12/10/14

CHECKED
SCALE
2:1

DRAWN
ALICE
UNIT
mm

NO	DESCRIPTION	MATERIAL	FINISH	Q'ty
3	1.13 CABLE	ASSY	BLACK	1
2	IPEX	BRASS	GOLD	1
1	BODY	ABS	BLACK	1

NOTE	DIMENSION
1. STRIP ALL BURRS. 2. ALL DIMENSIONS ARE AFTER PLATING. 3. DIAMETERS ON COMMON CENTERS. TO BE CONCENTRIC WITHIN 0.1 T.I.R	UNLESS OTHERWISE NOTED TOLERANCES X=±0.3
4. CHAMFER 1ST & LAST THREADS 45°	0.X=±0.2
5. BREAK ALL CONNERS & EDGES CO.15 MAX.	0.XX=±0.1

All creative content and details belonging to HYT's confidential, and the owner, without consent, Do not posted, theft, copied and sent to a third party.